

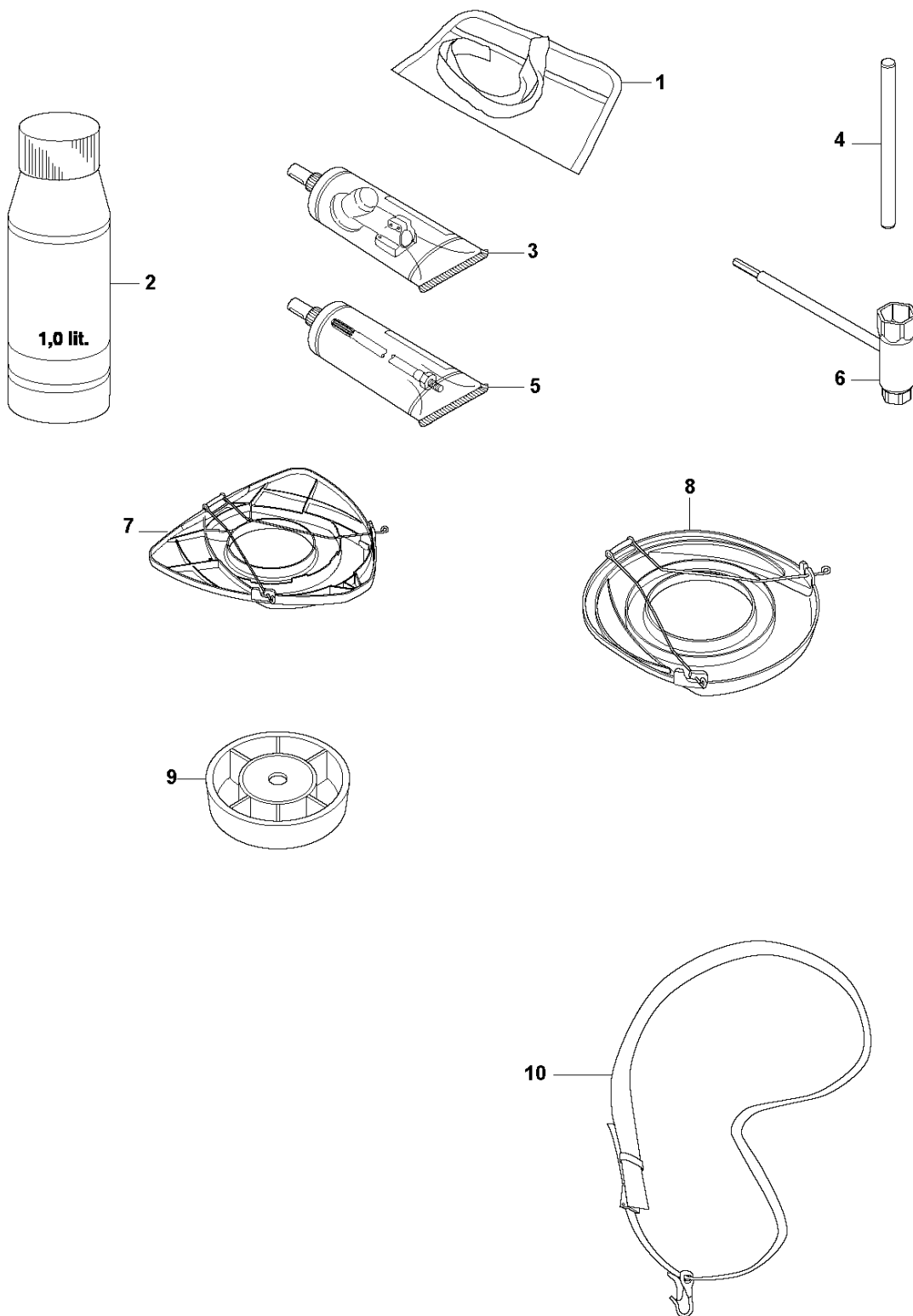


# SPARE PARTS LIST

BRUSHCUTTERS/CLEARING SAWS

333 R, 2013-06

**U** 333R, 333RJ  
335FR, 335LS, 335Lx, 335RJx, 335Rx.  
ACCESSORIES

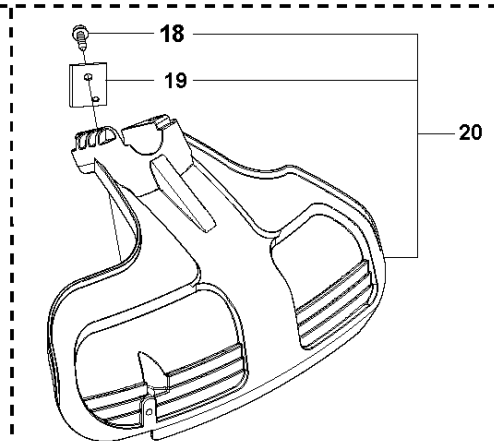
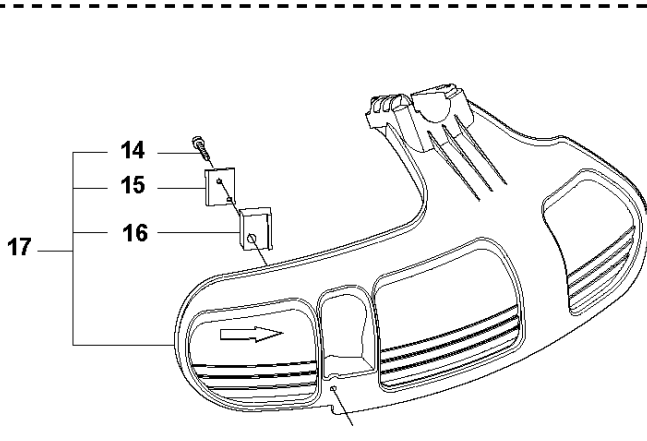
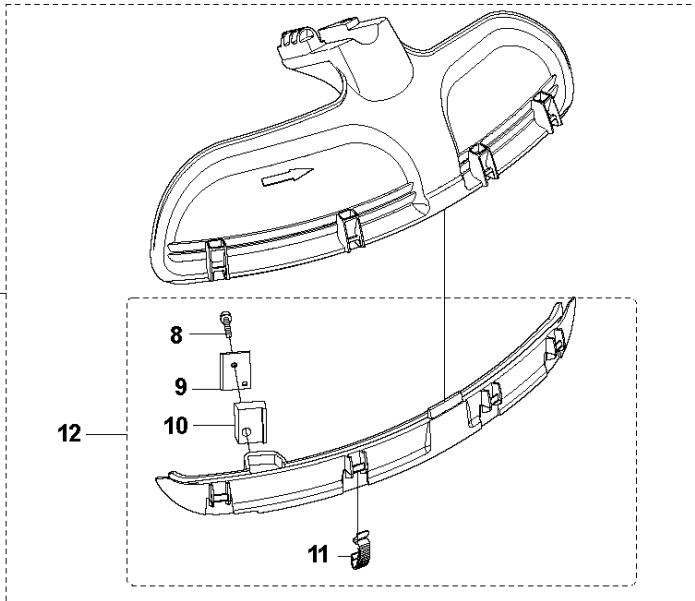
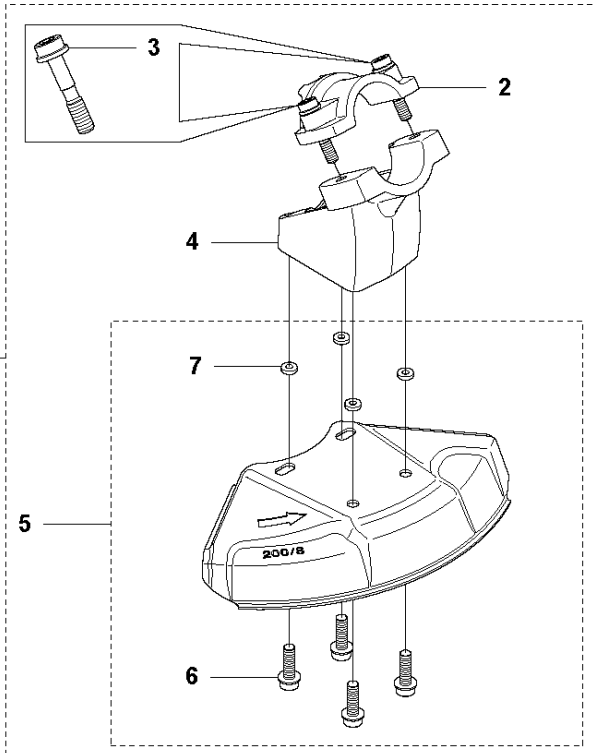


## ACCESSORIES

333 R, 2013-06

Ref	Part no.	Description	Remark	Qty	Kit
1	501 19 22-01	TOOL CASING		1	
2	531 00 92-48	FILTER OIL	Oil Airfilter	1	
3	503 97 64-01	GREASE		1	
4	502 28 59-01	STOP		1	
5	503 80 17-01	GREASE		1	
6	537 36 21-01	COMBINATION WRENCH		1	
7	544 35 91-01	TRANSPORT GUARD		1	
8	537 31 29-01	TRANSPORT GUARD	200-275 mm	1	
9	503 89 01-02	SUPPORT CUP		1	
10	537 21 62-01	HARNESS		1	
10	537 21 62-02	HARNESS	USA	1	

**T** 333R, 333RJ  
335FR, 335LS, 335Lx, 335RJx, 335Rx.  
ACCESSORIES

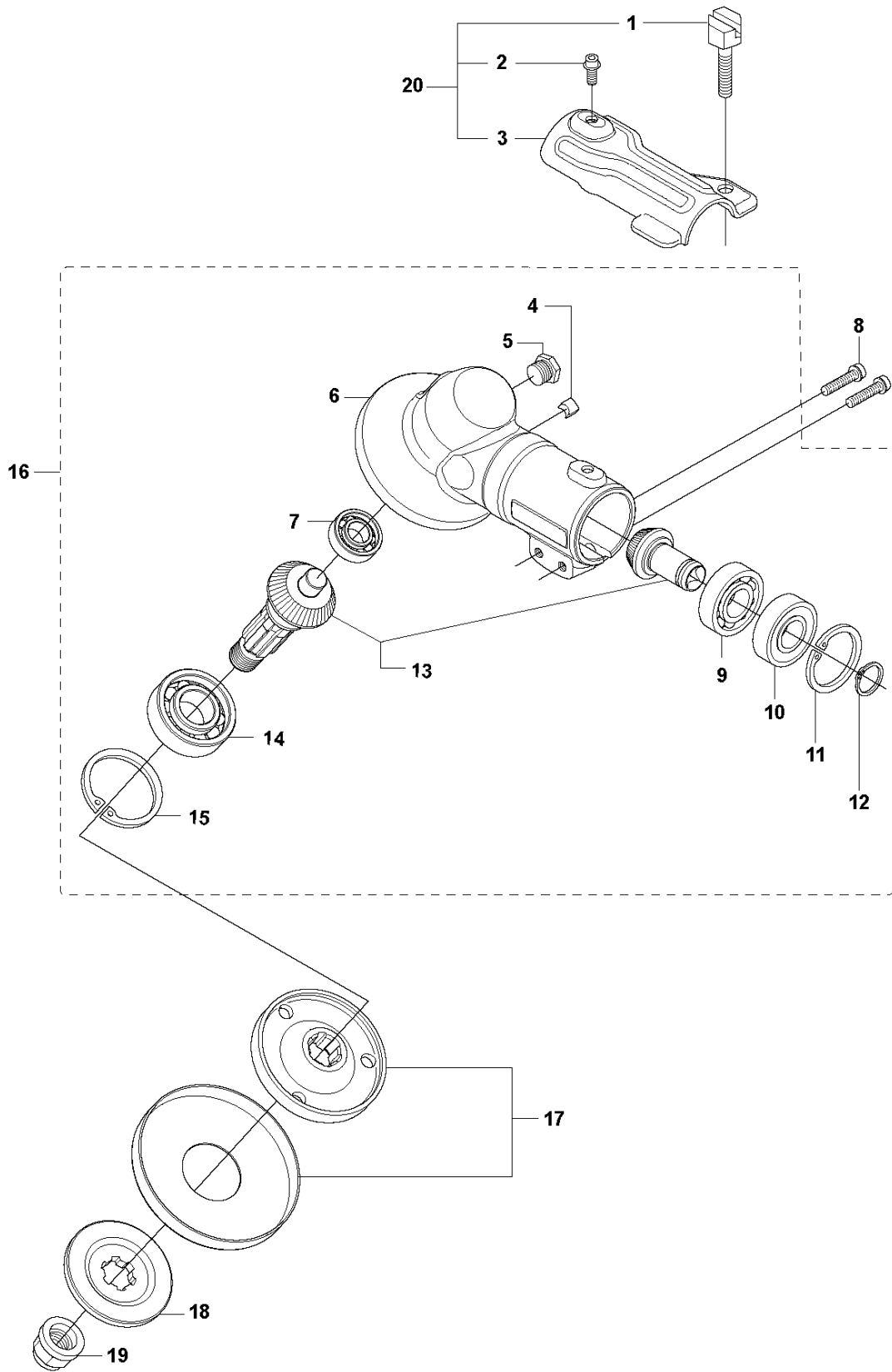


## ACCESSORIES

333 R, 2013-06

Ref	Part no.	Description	Remark	Qty	Kit
1	501 32 04-02	SAW BLADE GUARD	Incl. Pos. 2-7	1	
2	574 53 06-01	CLAMP	Spare part incl. Screws Pos. 3	1	1
3	573 99 43-04	SCREW IHSCFMO	Captive Screw M5	2	1, 2
4	501 32 08-01	ADAPTER		1	1
5	574 53 26-01	BLADE GUARD	Incl. Pos. 6-7	1	1
6	503 20 02-16	SCREW IHSCFM		4	1, 5
7	574 03 95-01	LOCKING NUT		4	1, 5
8	503 21 07-16	SCREW IHSCFT	333R, 335Rx	1	13
8	503 21 68-25	SCREW IHSCFT	333RJ, 335RJx, 335Lx, 335LS	1	13
9	503 79 88-01	BLADE		1	13
10	544 12 45-01	RETAINER	33RJ, 335RJx, 335Lx, 335LS	1	13
11	537 38 72-01	SNAP		4	13
12	537 39 63-01	SPLASH GUARD	333R, 335Rx	1	13
12	537 39 63-03	SPLASH GUARD	333RJ, 335RJx, 335Lx, 335LS	1	
13	537 33 16-01	COMBI GUARD	333R, 335Rx	1	
13	537 33 16-03	SPLASH GUARD	333RJ, 335Lx, 335RJx, 335LS	1	
14	503 21 68-25	SCREW IHSCFT		1	17
15	503 79 88-01	BLADE		1	17
16	544 12 45-01	RETAINER		1	17
17	537 34 94-03	TRIMMER GUARD		1	
18	503 21 68-25	SCREW IHSCFT		1	20
19	503 79 88-01	BLADE		1	20
20	502 44 81-01	TRIMMER GUARD ASSY		1	

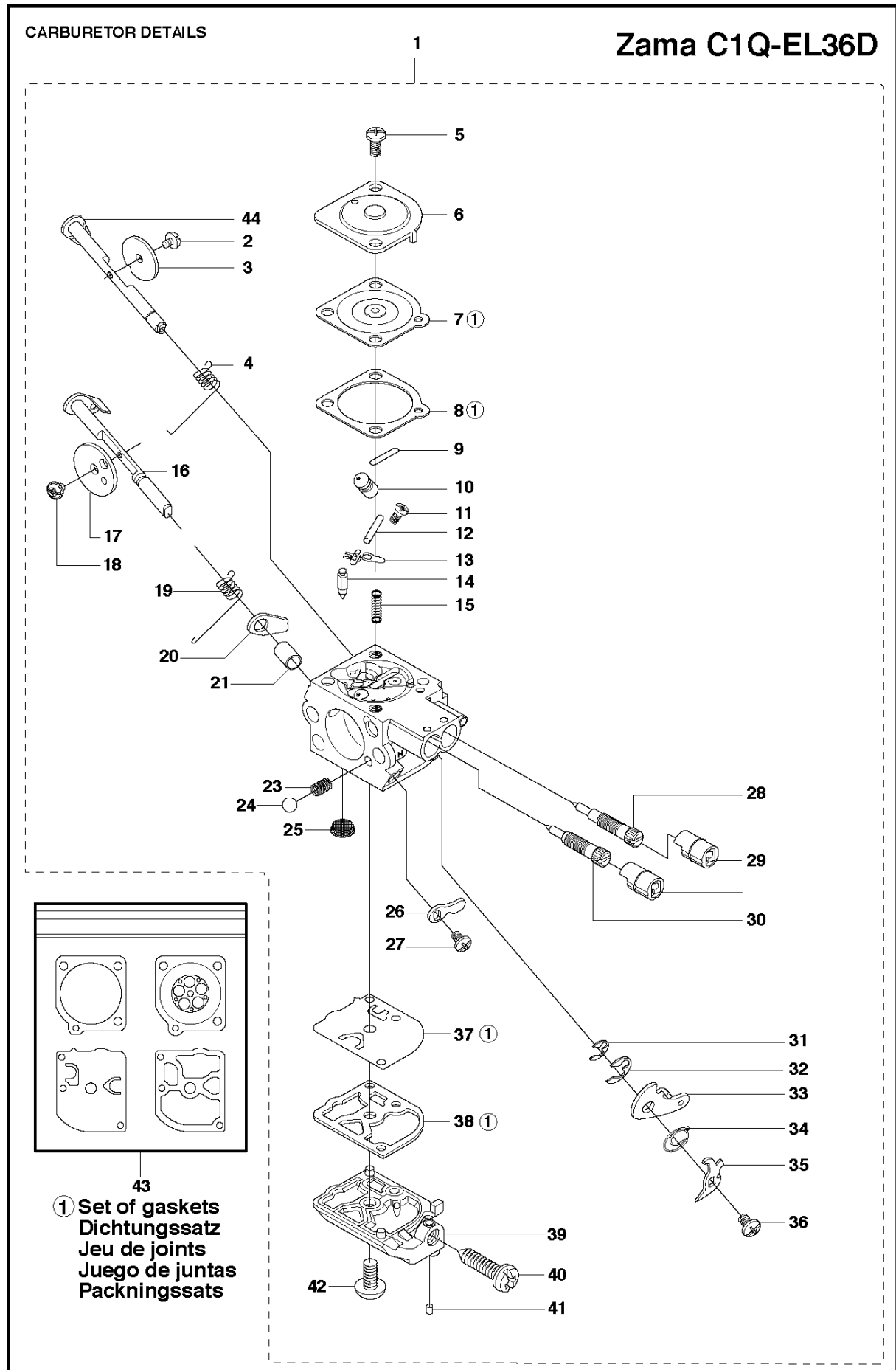
**A** 333R, 333RJ  
335FR, 335LS, 335Lx, 335RJx, 335Rx.  
BEVEL GEAR



## BEVEL GEAR

333 R, 2013-06

Ref	Part no.	Description	Remark	Qty	Kit
1	537 18 95-01	SCREW		1	20
2	503 20 02-10	SCREW IHSCFM		1	20
3	544 08 76-01	CLAMP		1	20
4	537 14 74-01	MAGNET		1	16
5	503 20 15-01	SCREW IHHM		1	16
6	537 29 59-02	GEAR HOUSING		1	16
7	738 21 99-00	BALL BEARING		1	16
8	503 20 03-25	SCREW IHSCFM		2	
9	738 21 01-10	BALL BEARING		1	16
10	738 21 01-12	BALL BEARING		1	16
11	735 31 28-10	CIRCLIP		1	16
12	735 31 14-00	CIRCLIP		1	16
13	505 13 33-01	SPARE PARTS KIT	333R, 335Rx, 335Fr	1	16
13	505 13 34-01	SPARE PARTS KIT	333RJ, 335RJx, 335Lx, 335LS	1	16
14	503 25 28-01	BALL BEARING		1	16
15	735 31 31-10	CIRCLIP		1	16
16	544 21 64-01	GEAR	333R, 335Rx, 335Fr	1	
16	537 29 58-02	BEVEL GEAR	333RJ, 335RJx, 335Lx, 335LS	1	
17	537 35 14-01	DRIVER	"(1")"	1	
18	537 34 35-01	SUPPORT FLANGE		1	
19	502 29 11-01	NUT BLADE		1	
20	574 30 68-01	CLAMP		1	

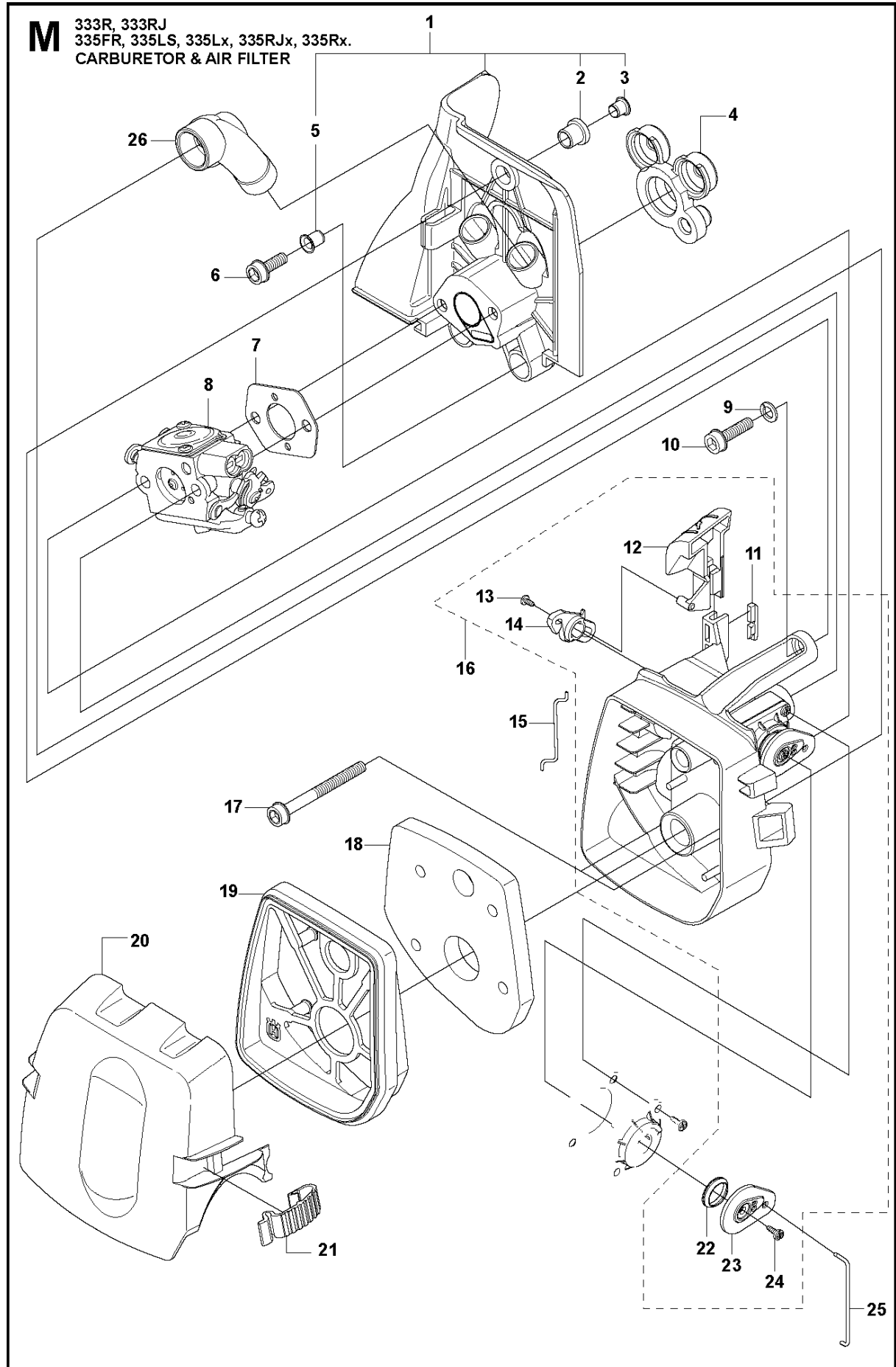




## CARBURETOR

333 R, 2013-06

Ref	Part no.	Description	Remark	Qty	Kit
1	581 16 75-01	CARBURETTOR		1	
2	503 47 92-01	SCREW		1	1
3	537 41 72-01	VALVE		1	1
4	544 37 24-01	SPRING		1	1
5	503 48 05-01	SCREW		2	1
6	503 97 43-01	COVER		1	1
7	537 04 89-01	DIAPHRAGM		1	1, 43
8	537 02 04-01	GASKET		1	1, 43
9	503 53 56-01	PLUG WELCH		1	1
10	581 89 95-01	MAIN NOZZLE		1	1
11	503 48 01-01	SCREW		1	1
12	503 48 00-01	PIN RETAINING SCREW		1	1
13	503 66 59-01	LEVER		1	1
14	503 47 97-01	VALVE		1	1
15	503 47 81-01	SPRING		1	1
16	544 37 22-01	SHAFT ASSY		1	1
17	537 37 03-01	VALVE		1	1
18	503 48 18-01	SCREW		1	1
19	544 37 26-01	SPRING		1	1
20	544 37 25-01	LEVER		1	1
21	544 42 70-01	COLLAR		1	1
23	537 01 26-01	SPRING		1	1
24	537 01 25-01	BALL		1	1
25	503 48 13-01	STRAINER		1	1
26	544 37 23-01	LEVER		1	1
27	503 47 90-01	SCREW		1	1
28	537 41 69-01	SCREW		1	1
29	537 41 70-01	LIMITER CAP		2	1
30	581 89 93-01	SCREW		1	1
31	537 38 52-01	CLIP		1	1
32	537 38 50-01	CLIP		1	1
33	537 41 73-01	LEVER		1	1
34	576 74 66-01	SPRING		1	1
35	537 41 74-01	LEVER		1	1
36	502 07 84-01	SCREW		1	1
37	537 02 00-01	DIAPHRAGM PUMP		1	1, 43
38	537 02 01-01	GASKET PUMP		1	1, 43
39	537 41 68-01	COVER		1	1
40	537 02 07-01	SCREW		1	1
41	503 48 11-01	PIECE		1	1
42	503 47 96-01	SCREW		1	1
43	531 00 45-52	GASKET KIT		1	
44	544 37 21-01	SHAFT ASSY		1	1

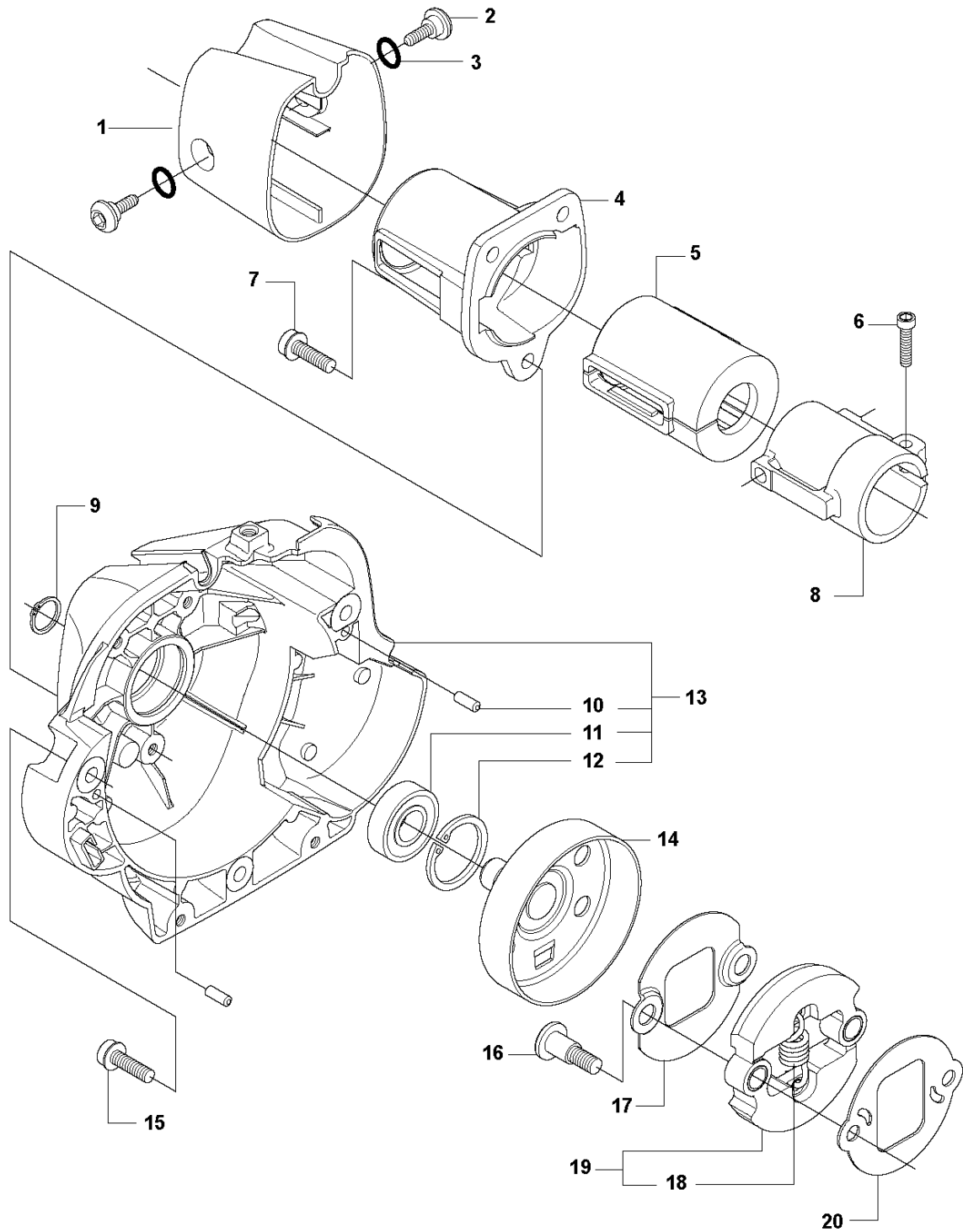


## CARBURETOR &amp; AIR FILTER

333 R, 2013-06

Ref	Part no.	Description	Remark	Qty	Kit
1	537 37 12-01	INSULATION WALL		1	
2	537 37 11-01	SLEEVE		1	1
3	544 01 91-01	TUBULAR RIVET		1	1
4	537 33 43-01	INLET PIPE		1	
5	537 37 38-03	TUBULAR RIVET		2	1
6	503 20 03-16	SCREW IHSCFM		2	
7	503 49 71-01	GASKET		1	
8	581 16 75-01	CARBURETTOR		1	
9	503 23 10-06	WASHER		1	
10	503 20 03-20	SCREW IHSCFM		1	
11	544 02 58-01	BAR		1	16
12	537 33 71-01	CHOKE CONTROL		1	16
13	503 21 29-06	SCREW CCRPANT		1	16
14	537 35 58-01	LEVER		1	16
15	544 37 27-01	SLEEVING BRACKET		1	
16	537 31 41-01	FILTER HOLDER		1	
17	503 21 75-50	SCREW IHSCFT		2	
18	537 33 72-01	FILTER		1	
19	537 31 42-01	FRAME		1	
20	537 31 44-01	FILTER COVER		1	
21	537 38 72-01	SNAP		2	
22	544 01 47-01	BELLOWS		1	16
23	544 01 46-01	LEVER		1	16
24	503 21 29-06	SCREW CCRPANT		1	16
25	537 34 90-01	LEVER		1	
26	537 34 13-01	AIR DUCT		1	

**G** 333R, 333RJ  
335FR, 335LS, 335Lx, 335RJx, 335Rx.  
CLUTCH & CLUTCH COVER

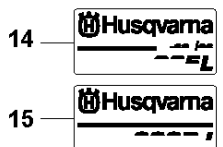
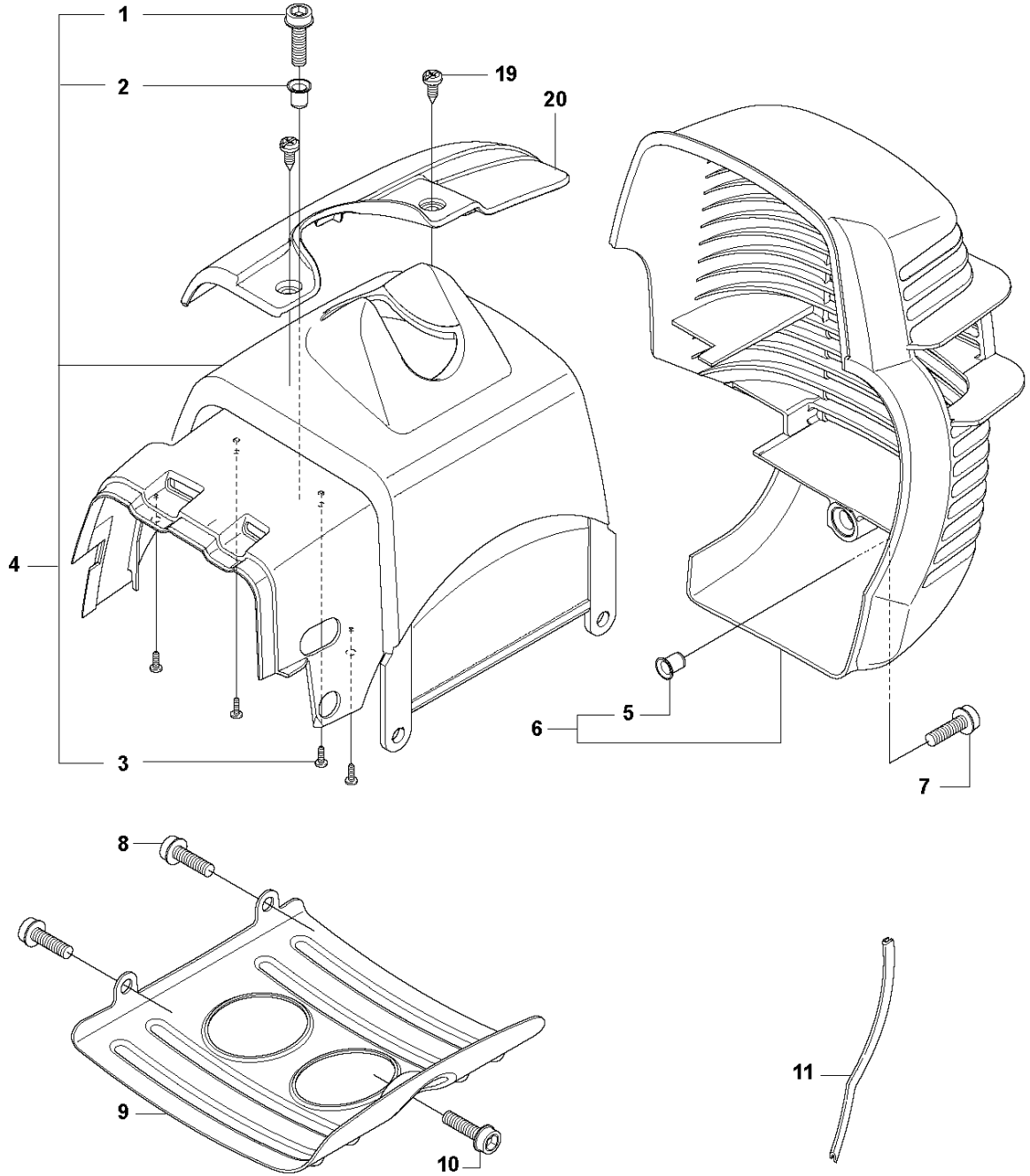


## CLUTCH

333 R, 2013-06

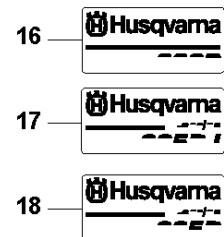
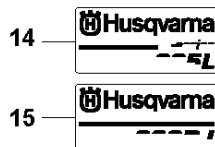
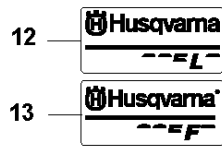
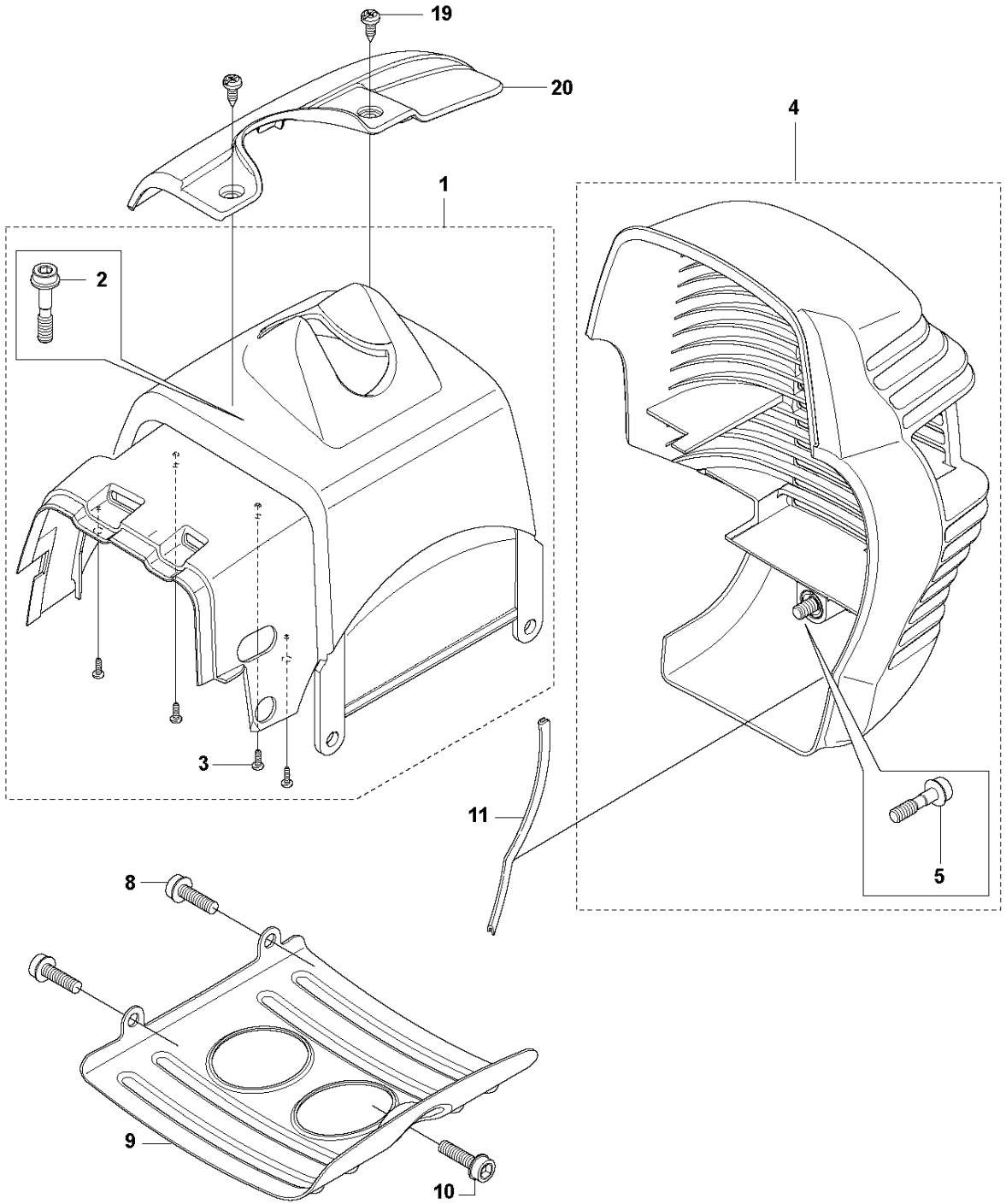
Ref	Part no.	Description	Remark	Qty	Kit
1	544 11 97-01	COVER	333RJ, 335RJx, 335Lx, 335LS	1	
1	537 32 61-01	COVER	333R, 335Rx, 335FR	1	
2	503 96 13-01	SCREW		2	
3	740 42 06-00	O-RING		2	
4	537 31 00-01	COVER		1	
5	537 32 27-01	ANTIVIBRATION ELEMENT		1	
6	725 53 33-55	SCREW IHSCM		1	
7	503 20 03-20	SCREW IHSCFM		3	
8	537 31 01-01	COMPRESSION SLEEVE	333R, 335Rx, 335FR	1	
8	537 31 01-02	COMPRESSION SLEEVE	333RJ, 335RJx, 335Lx, 335LS	1	
9	735 31 14-00	CIRCLIP		1	
10	503 24 07-02	PARALLEL PIN		2	13
11	738 21 01-04	BALL BEARING		1	13
12	735 31 28-10	CIRCLIP		1	13
13	537 30 29-01	CLUTCH COVER		1	
14	537 35 29-01	CLUTCH DRUM		1	
15	503 20 03-20	SCREW IHSCFM		3	
16	537 41 81-01	SCREW		2	
17	537 41 57-01	WASHER		1	
18	537 42 72-01	SPRING		1	19
19	537 34 04-01	CLUTCH		1	
20	537 04 68-01	WASHER		1	

**H1** 333R, 333RJ  
335FR, 335LS, 335Lx, 335RJx, 335Rx.  
COVERS



Ref	Part no.	Description	Remark	Qty	Kit
1	503 20 03-20	SCREW IHSCFM		1	4
2	537 37 38-02	TUBULAR RIVET		1	4
3	503 21 29-10	SCREW CCRPANT		4	4
4	544 16 01-01	CYLINDER COVER		1	
5	537 37 38-03	TUBULAR RIVET		1	6
6	537 42 51-01	HEAT PROTECTOR		1	
7	503 20 03-20	SCREW IHSCFM		1	
8	503 21 75-16	SCREW IHSCFT		2	
9	537 35 72-01	PROTECTIVE PLATE		1	
10	503 21 75-16	SCREW IHSCFT		1	
11	544 02 98-01	BAR		1	
12	537 39 52-08	LABEL	335LS	1	
13	537 39 52-09	LABEL	335FR	1	
14	537 39 52-02	LABEL	335Lx	1	
15	537 39 52-03	LABEL	333RJ	1	
16	537 39 52-04	LABEL	333R	1	
17	537 39 52-05	LABEL	335RJx	1	
18	537 39 52-06	LABEL	335Rx	1	
19	503 21 35-02	SCREW CCRPANT	335LS, 335RJX	2	
20	502 43 39-01	ARM PROTECTION		1	

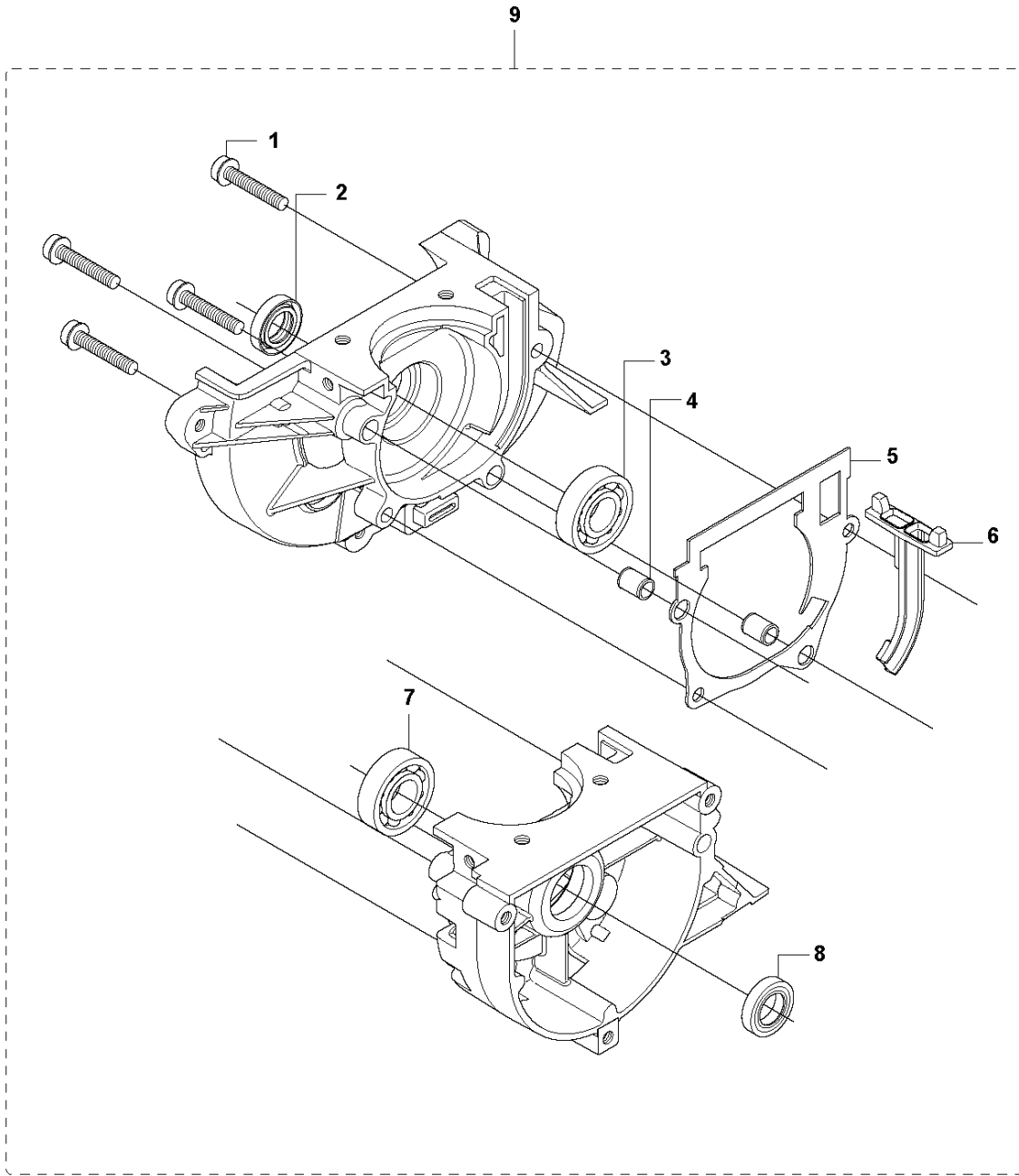
**H2** 333R, 333RJ  
335FR, 335LS, 335Lx, 335RJx, 335Rx.  
COVERS





Ref	Part no.	Description	Remark	Qty	Kit
1	544 16 01-02	CYLINDER COVER	Captive screws	1	
2	573 99 43-04	SCREW IHSCFMO	Captive screws	1	1
3	503 21 29-10	SCREW CCRPANT		4	1
4	537 42 51-02	HEAT PROTECTOR	Captive screws	1	
5	574 47 70-03	SCREW IHSCFMO	Captive screws	1	4
8	503 21 75-16	SCREW IHSCFT		2	
9	537 35 72-01	PROTECTIVE PLATE		1	
10	503 21 75-16	SCREW IHSCFT		1	
11	544 02 98-01	BAR		1	
12	537 39 52-08	LABEL	335LS	1	
13	537 39 52-09	LABEL	335FR	1	
14	537 39 52-02	LABEL	335Lx	1	
15	537 39 52-03	LABEL	333RJ	1	
16	537 39 52-04	LABEL	333R	1	
17	537 39 52-05	LABEL	335RJx	1	
18	537 39 52-06	LABEL	335Rx	1	
19	503 21 35-02	SCREW CCRPANT	335Rx	2	
20	502 43 39-01	ARM PROTECTION	335Rx	1	

**R** 333R, 333RJ  
335FR, 335LS, 335Lx, 335RJx, 335Rx.  
CRANK CASE

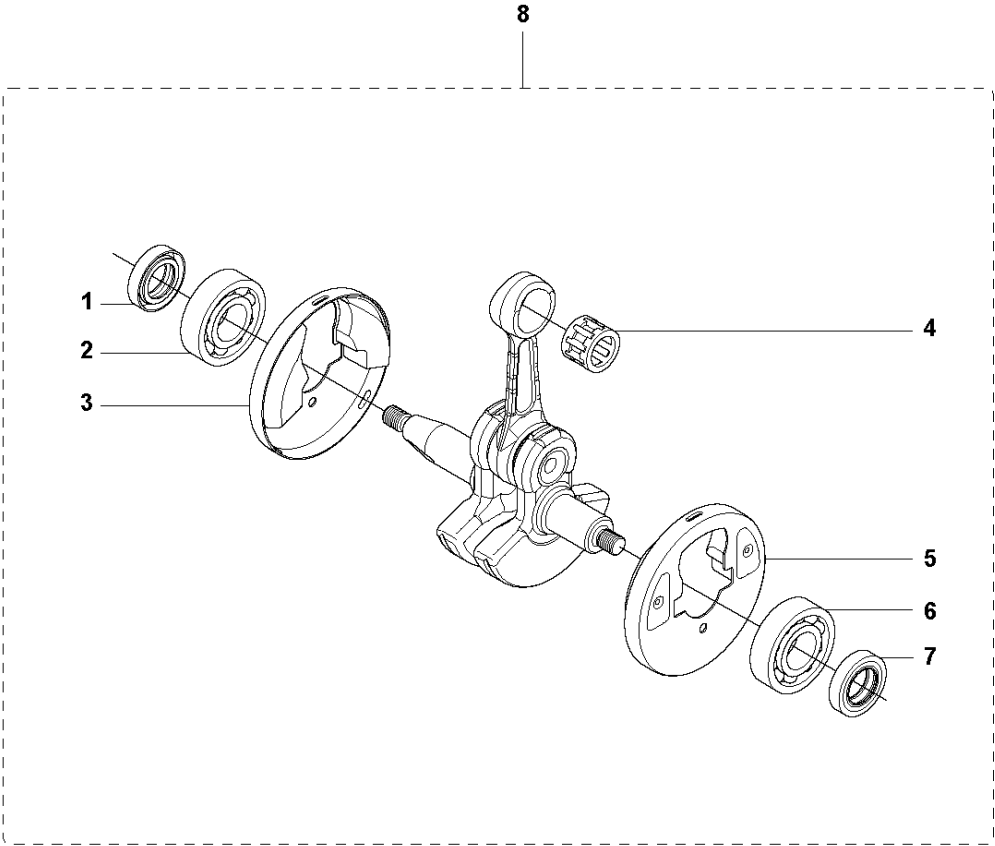


CRANKCASE

333 R, 2013-06

Ref	Part no.	Description	Remark	Qty	Kit
1	503 20 02-30	SCREW IHSCFM		4	9
2	503 26 02-02	SEALING RING		1	9
3	738 21 01-10	BALL BEARING		1	9
4	501 27 08-01	GUIDE BUSHING		2	9
5	537 33 29-01	GASKET		1	9
6	537 32 42-01	INSERT		1	9
7	738 21 01-10	BALL BEARING		1	9
8	503 26 02-02	SEALING RING		1	9
9	544 03 89-01	CRANKCASE ASSY		1	

**Q** 333R, 333RJ  
335FR, 335LS, 335Lx, 335RJx, 335Rx.  
CRANK SHAFT

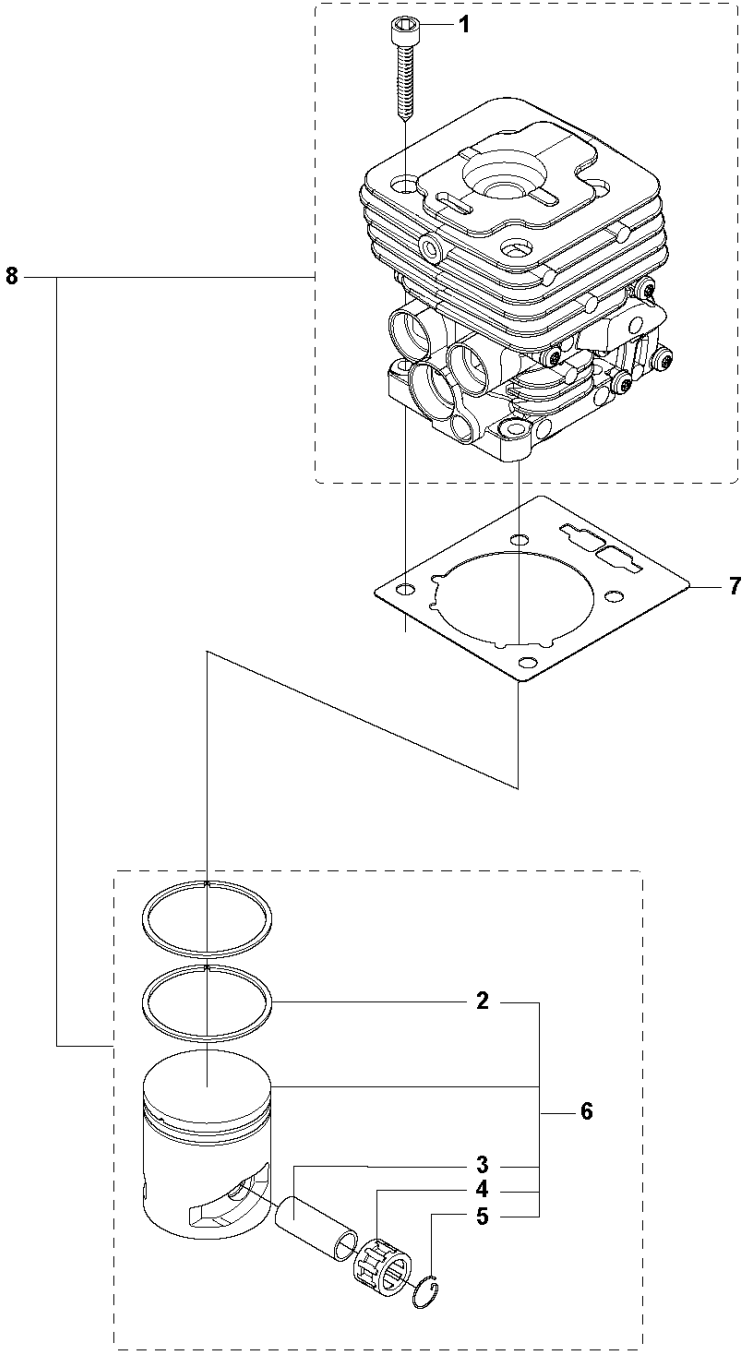


## CRANKSHAFT

333 R, 2013-06

Ref	Part no.	Description	Remark	Qty	Kit
1	503 26 02-02	SEALING RING		1	8
2	738 21 01-10	BALL BEARING		1	8
3	537 29 76-01	CUP		1	8
4	503 41 41-01	NEEDLE BEARING		1	8
5	537 29 76-01	CUP		1	8
6	738 21 01-10	BALL BEARING		1	8
7	503 26 02-02	SEALING RING		1	8
8	544 03 90-01	CRANKSHAFT ASSY		1	

**P** 333R, 333RJ  
335FR, 335LS, 335Lx, 335RJx, 335Rx.  
CYLINDER PISTON

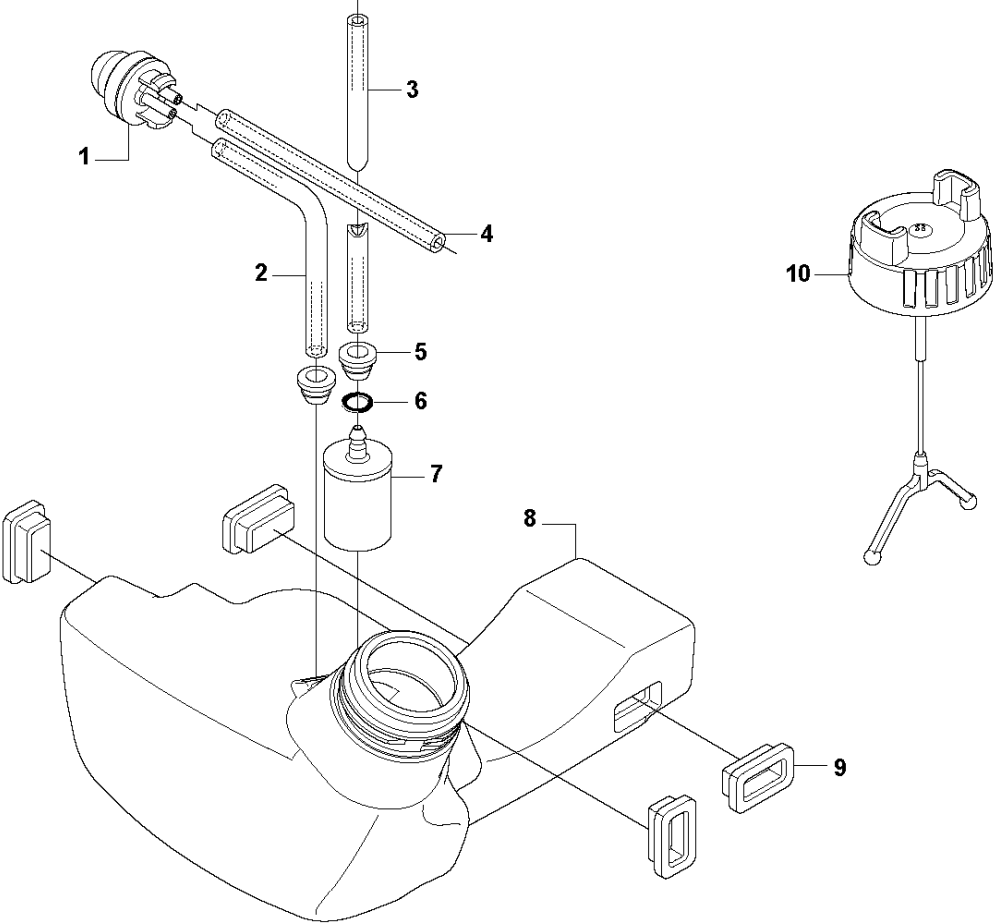


## CYLINDER PISTON

333 R, 2013-06

Ref	Part no.	Description	Remark	Qty	Kit
1	503 20 08-23	SCREW IHSCM		4	8
2	503 28 90-54	PISTON RING		2	6,8
3	503 28 91-19	PISTON PIN		1	6,8
4	503 41 41-01	NEEDLE BEARING		1	6,8
5	737 44 10-00	SNAP RING		2	6,8
6	537 31 28-02	PISTON		1	8
7	537 33 30-01	GASKET		1	
8	544 40 06-01	CYLINDER ASSY	Ø = 38mm. 574 36 43-01	1	

**L** 333R, 333RJ  
335FR, 335LS, 335Lx, 335RJx, 335Rx.  
FUEL TANK

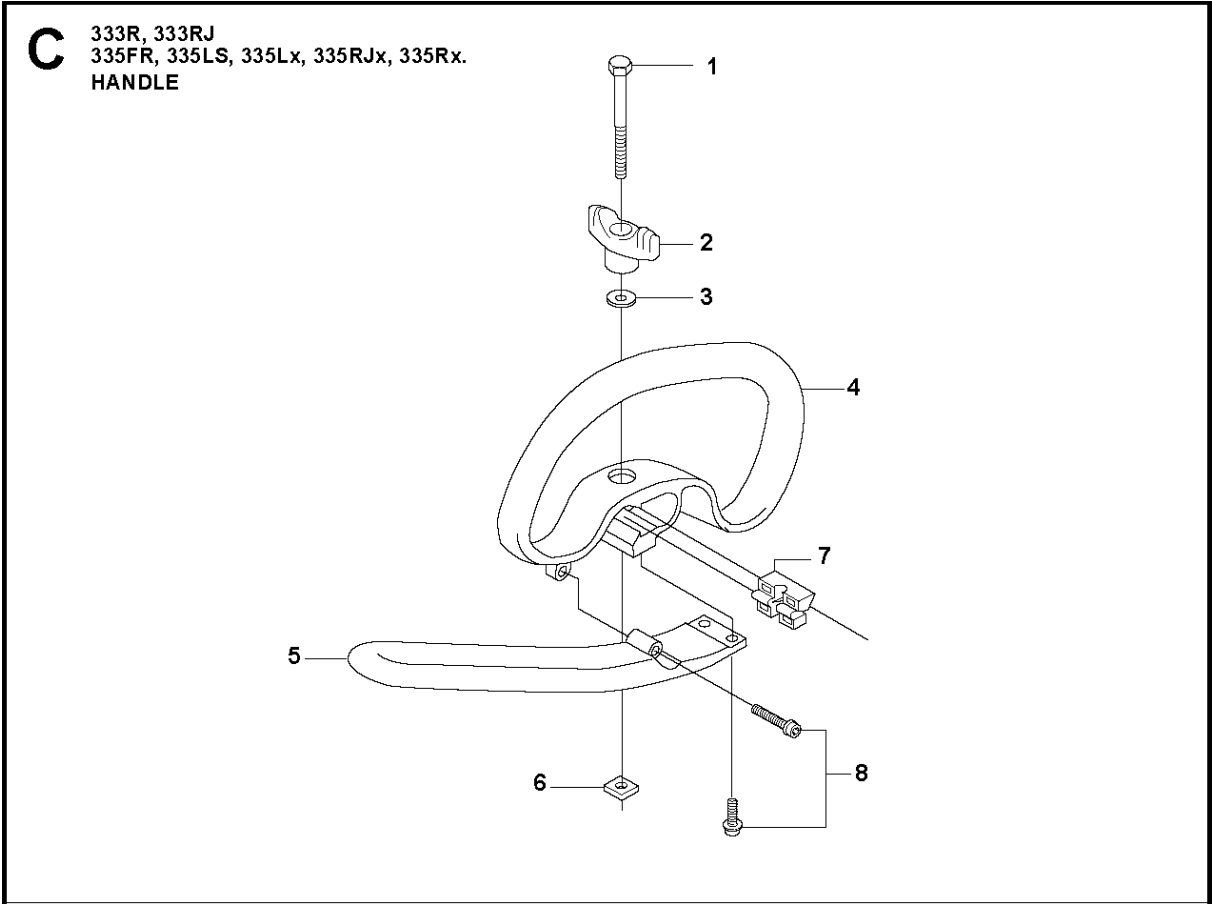




## FUEL TANK

333 R, 2013-06

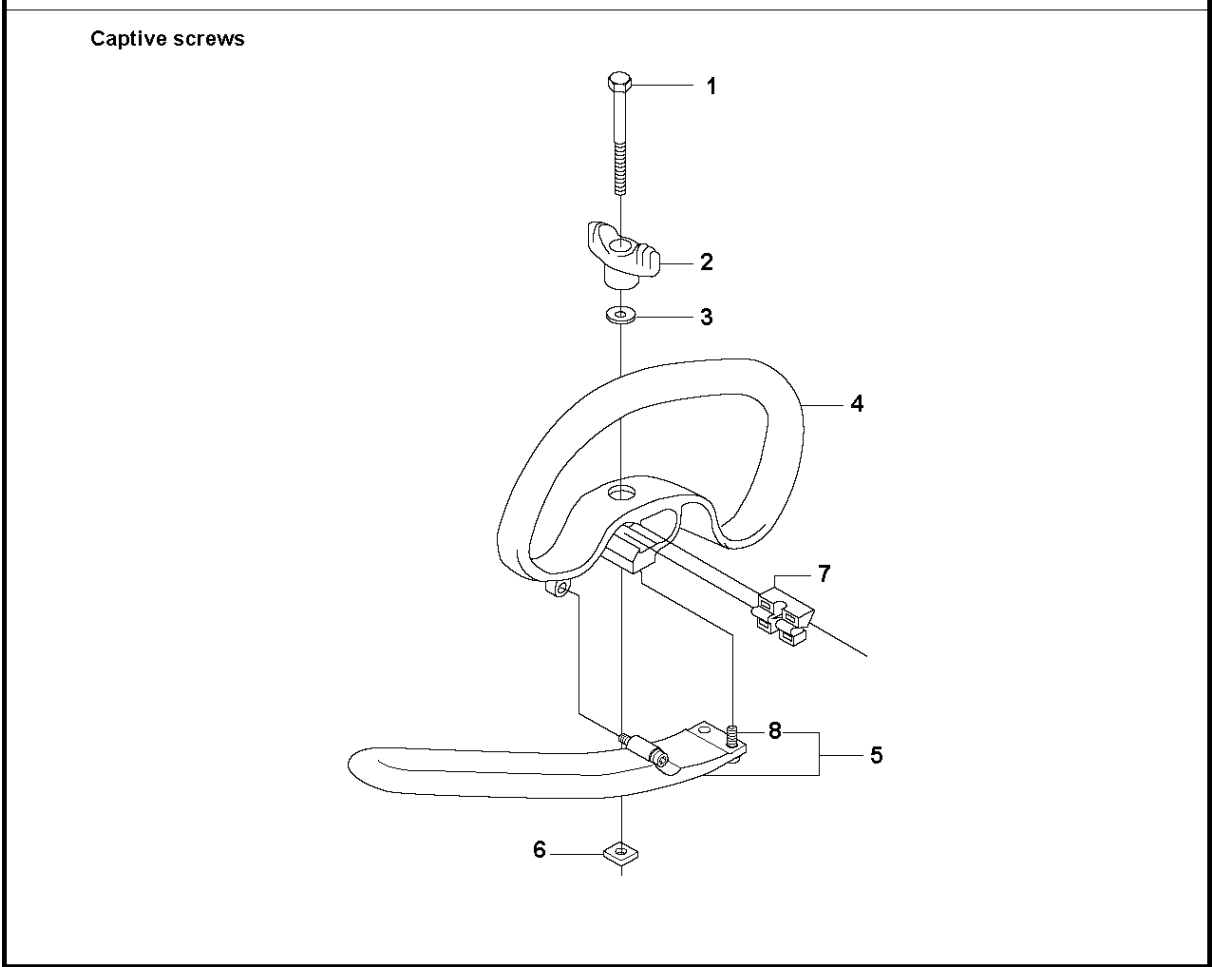
Ref	Part no.	Description	Remark	Qty	Kit
1	503 93 66-01	PRIMER HOUSING		1	
2	537 04 24-12	FUEL HOSE		1	
3	537 05 23-01	FUEL HOSE		1	
4	537 04 24-12	FUEL HOSE		1	
5	503 73 58-01	BUSHING		2	
6	537 18 49-01	O-RING		1	
7	503 44 32-01	FILTER		1	
8	544 32 88-01	TANK ASSY		1	
9	503 91 10-01	SUSPENSION		4	
10	503 91 18-02	TANK CAP		1	



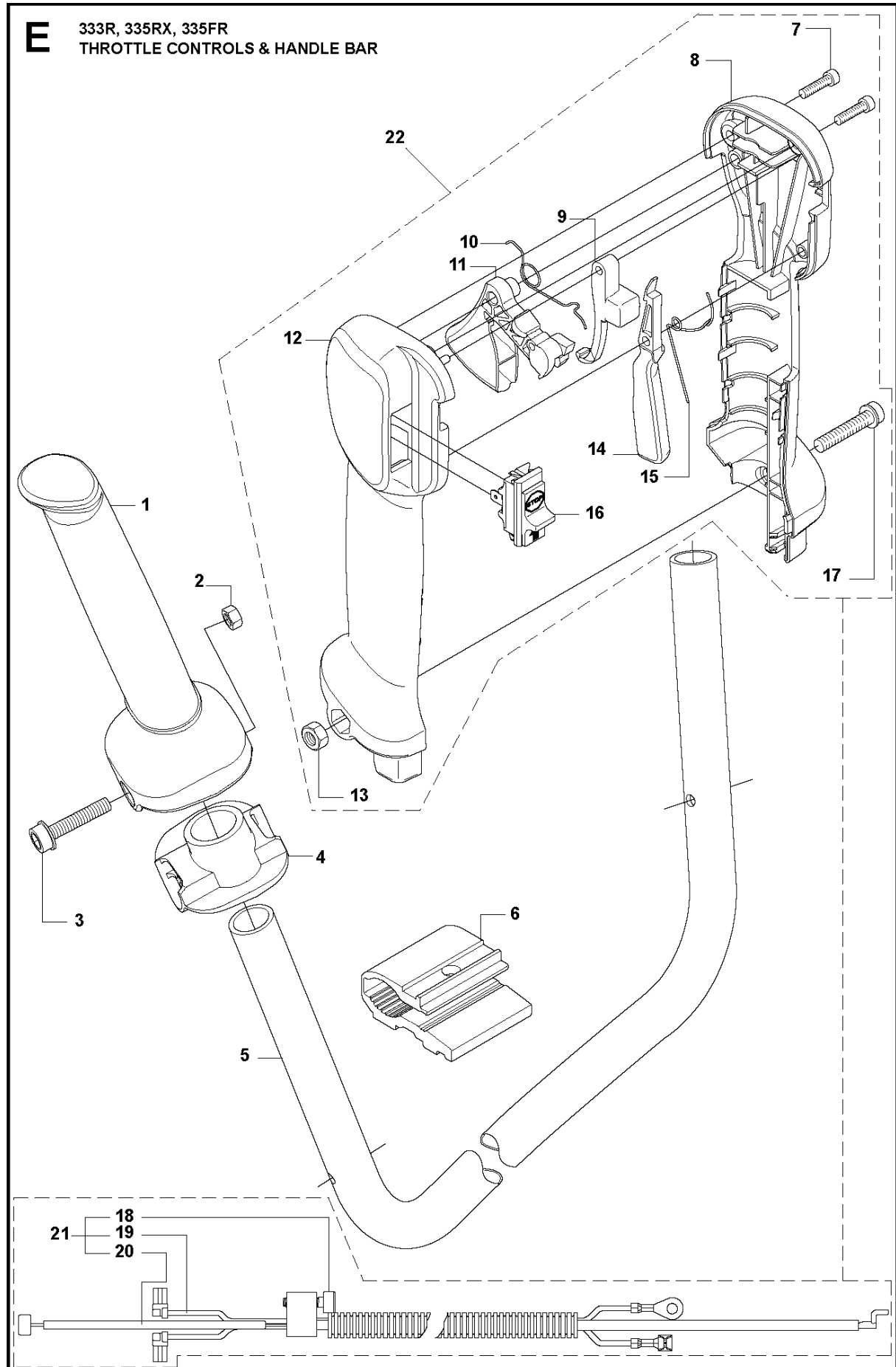
## HANDLE

333 R, 2013-06

Ref	Part no.	Description	Remark	Qty	Kit
1	725 23 78-51	SCREW EHHM	33RJ, 335LS	1	
1	725 23 80-51	SCREW EHHM	335Lx, 335RJx	1	
2	503 87 90-01	KNOB	335Lx, 335RJx	1	
3	503 23 00-61	WASHER	33RJ, 335LS	1	
4	544 10 10-02	HANDLE LOOP		1	
5	503 99 78-01	HANDLE.J	333RJ, 335RJx	1	
6	502 19 71-01	SQUARE NUT		1	
7	544 10 11-01	BLOCK.SPACING		1	
8	501 21 68-16	TBD		3	



Ref	Part no.	Description	Remark	Qty	Kit
1	725 23 78-51	SCREW EHHM	33RJ, 335LS	1	
1	725 23 80-51	SCREW EHHM	335Lx, 335RJx	1	
2	503 87 90-01	KNOB	335Lx, 335RJx	1	
3	503 23 00-61	WASHER	33RJ, 335LS	1	
4	544 10 10-04	HANDLE.LOOP	Captive screws	1	
5	503 99 78-01	HANDLE.J	Captive screws	1	
6	502 19 71-01	SQUARE NUT		1	
7	544 10 11-01	BLOCK.SPACING		1	
8	574 18 15-01	SCREW IHSCFTO	Captive screws	3	5

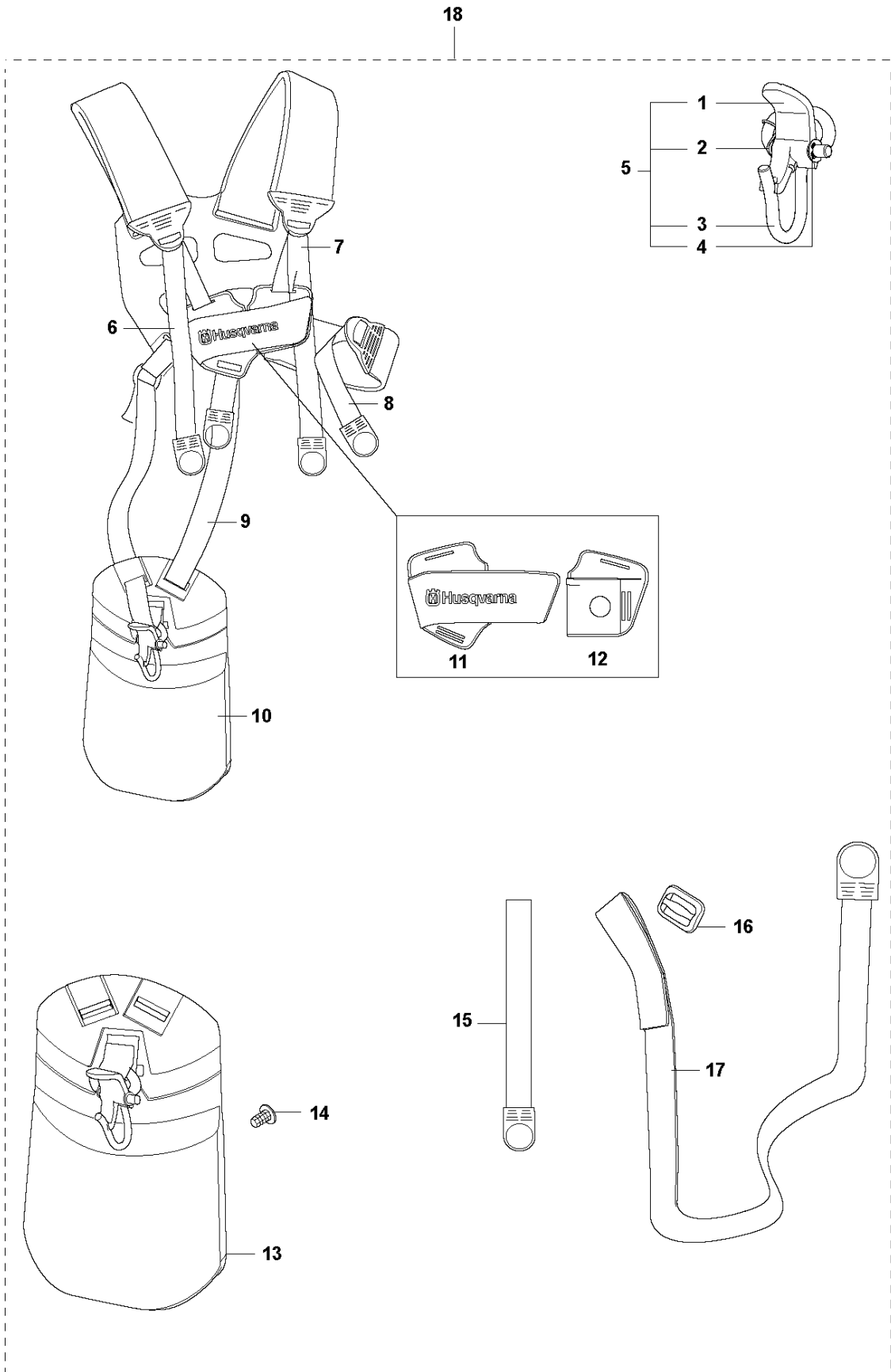


## HANDLE &amp; CONTROLS

333 R, 2013-06

Ref	Part no.	Description	Remark	Qty	Kit
1	537 17 28-01	HANDLE		1	
2	731 23 14-01	HEXAGON NUT		1	
3	503 20 02-45	SCREW IHSCFM		1	
4	537 17 29-01	COVER		1	
5	537 36 00-01	HANDLEBAR		1	
6	503 75 00-02	HANDLEBAR BRACKET		1	
7	503 21 66-18	SCREW IHST	333R, 335Rx, 335FR	2	22
8	537 16 03-01	HANDLE HALF RIGHT	333R	1	22
8	537 16 03-02	HANDLE HALF RIGHT	335Rx, 335FR	1	22
9	537 16 07-01	STARTER THROTTLE LOC	333R, 335Rx, 335FR	1	22
10	537 17 42-01	SPRING THROTTLE TRIG	333R, 335Rx, 335FR	1	22
11	506 49 77-01	THROTTLE CONTROL		1	14
12	537 16 02-03	HANDLE HALF LEFT	333R	1	22
12	537 16 02-02	HANDLE HALF LEFT	335Rx, 335FR	1	22
13	503 22 10-13	HEXAGON NUT	333R, 335Rx, 335FR	1	22
14	506 49 77-01	THROTTLE CONTROL	333R, 335Rx, 335FR	1	22,11
15	537 17 43-01	SPRING	333R, 335Rx, 335FR	1	22
16	537 41 90-01	SWITCH	333R, 335Rx, 335FR	1	22
17	503 20 07-35	SCREW IHSCFM	333R, 335Rx, 335FR	1	22
18	503 21 66-18	SCREW IHST	333R, 335Rx, 335FR	1	21
19	503 87 85-07	SHORT CIRCUIT CABLE	333R, 335Rx, 335FR	1	21
20	537 37 78-01	THROTTLE WIRE ASSY	333R, 335Rx, 335FR	1	21
21	537 35 96-02	WIRING ASSY	333R, 335Rx, 335FR	1	22
22	537 42 45-13	HANDLE SYSTEM ASSY		1	

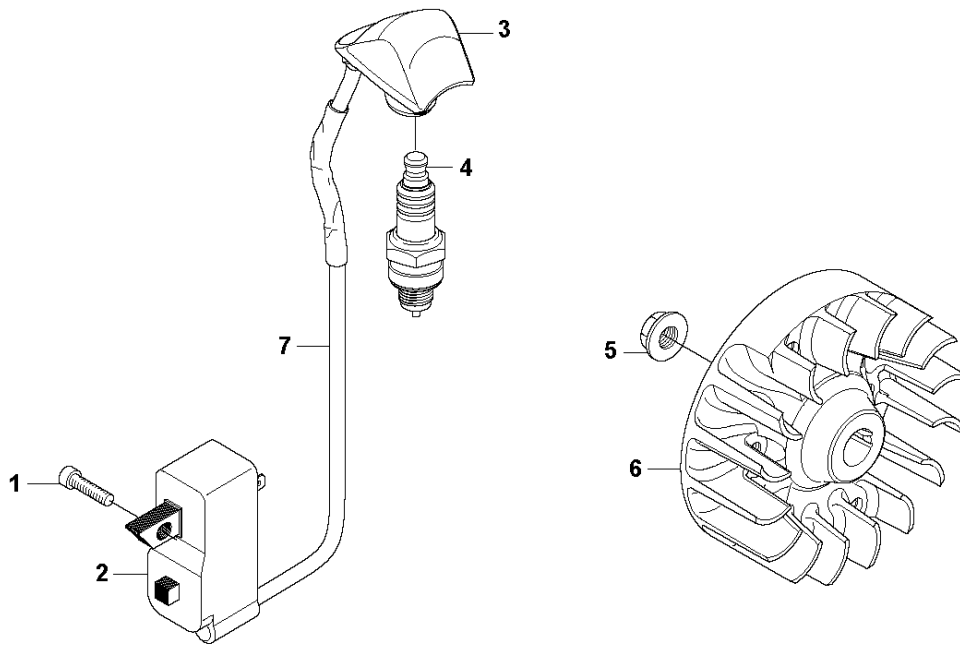
**V** 333R, 333RJ  
335FR, 335LS, 335Lx, 335RJx, 335Rx.  
HARNESS





Ref	Part no.	Description	Remark	Qty	Kit
1	502 02 30-02	LOCK		1	5
2	502 02 38-01	SPRING		1	5
3	502 02 29-02	HOOK		1	5
4	735 31 09-20	E-CLIP		1	5
5	502 02 28-05	WELT HOOK		1	
6	503 99 61-01	BAND		1	
7	503 99 61-01	BAND		1	
8	503 99 61-01	BAND		1	
9	503 99 61-03	BAND		1	
10	537 27 59-01	HIP PAD		1	
11	537 28 84-01	FRONT PIECE		1	
12	537 28 83-01	FRONT PIECE		1	
13	537 27 59-01	HIP PAD		1	
14	537 17 54-01	HIP PAD		3	
15	503 99 61-01	BAND		3	
16	537 11 35-01	RETAINER		1	
17	503 99 61-03	BAND		1	
18	537 27 57-02	HARNESS	Duo Balance	1	
18	537 27 57-04	HARNESS	Duo Balance US	1	

**N** 333R, 333RJ  
335FR, 335LS, 335Lx, 335RJx, 335Rx.  
IGNITION

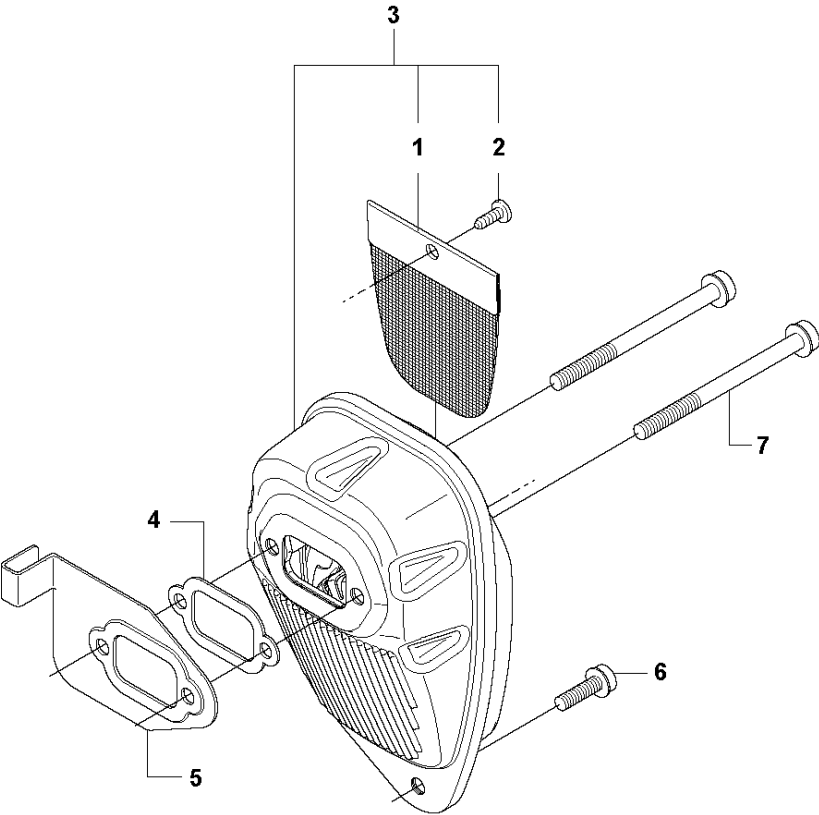


## IGNITION SYSTEM

333 R, 2013-06

Ref	Part no.	Description	Remark	Qty	Kit
1	503 21 66-18	SCREW IHSCT		2	
2	544 12 70-01	IGNITION MODULE		1	
3	537 43 43-01	SPARK PLUG CAP		1	
4	503 23 51-09	SPARK PLUG	CH RCJ6Y (Ø=14 mm)	1	
5	731 71 16-51	HEXAGON NUT FLANGED		1	
6	537 24 96-01	FLYWHEEL		1	
7	501 53 16-01	CABLE		2	

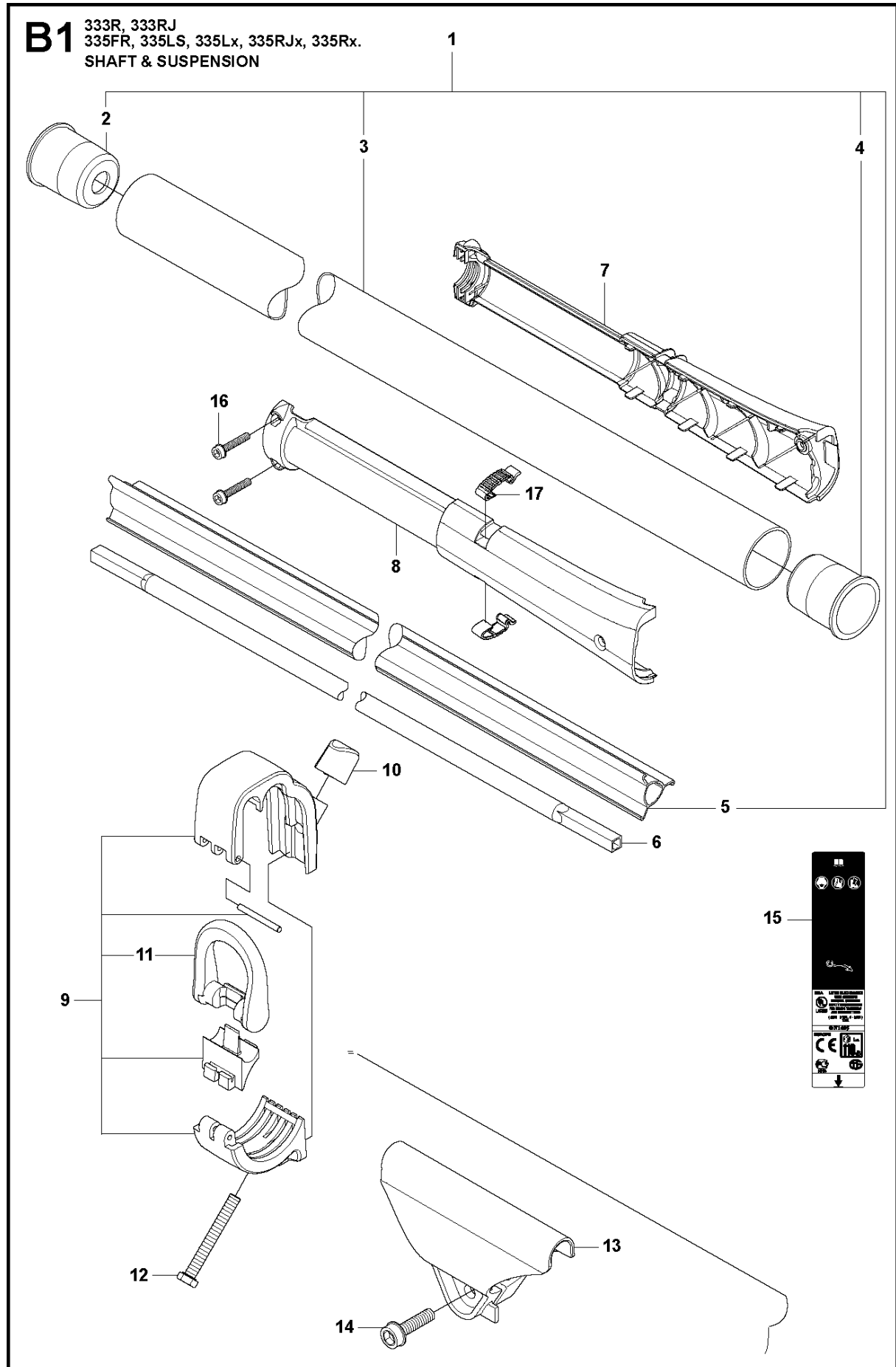
**J** 333R, 333RJ  
335FR, 335LS, 335Lx, 335RJx, 335Rx.  
MUFFLER



## MUFFLER

333 R, 2013-06

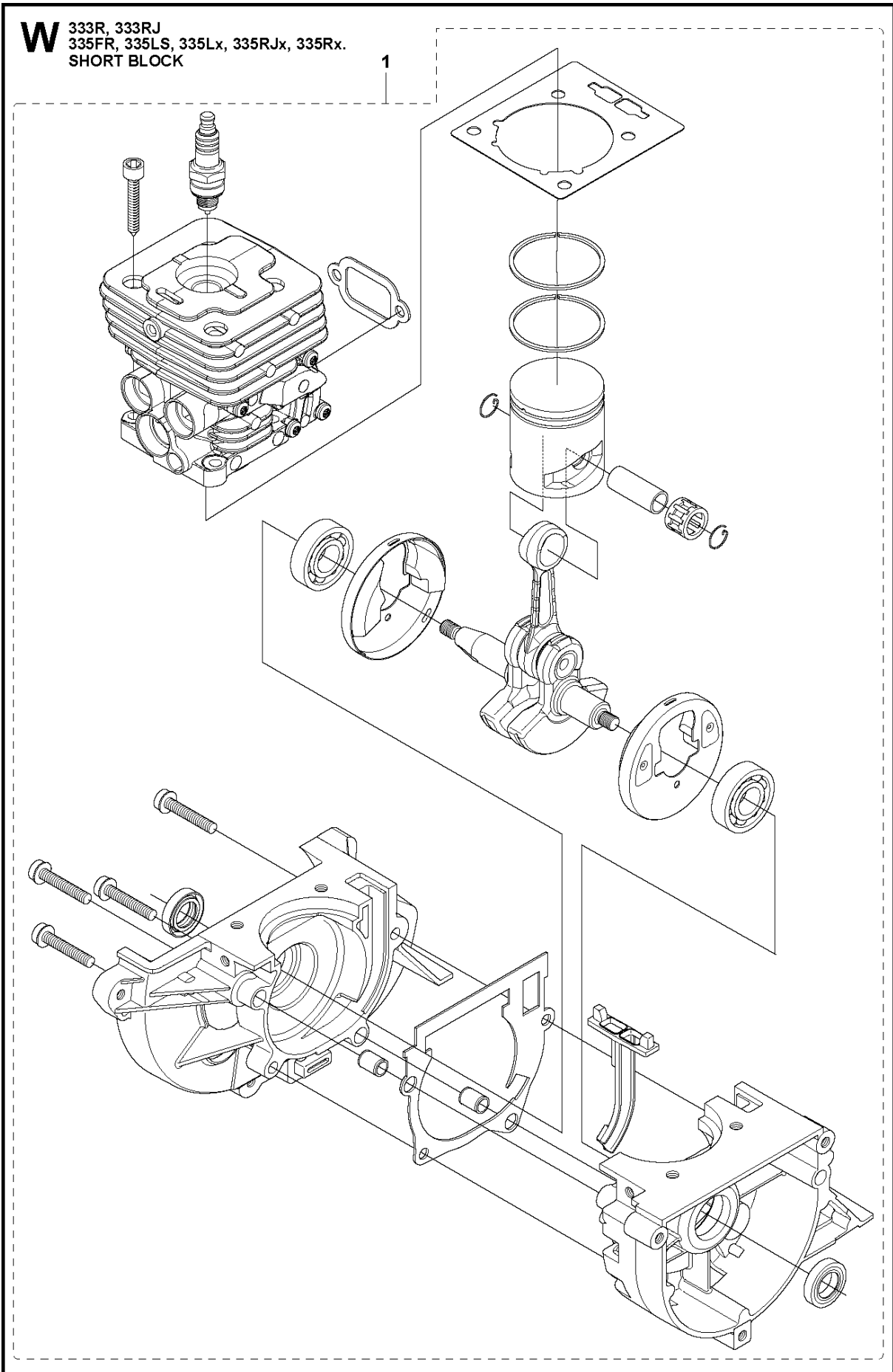
Ref	Part no.	Description	Remark	Qty	Kit
1	537 32 47-01	SPARK ARRESTOR SCREEN		1	3
2	724 12 87-59	SCREW CRPANM		1	3
3	544 11 67-01	MUFFLER ASSY	335Rx, 335RJx, 335Lx, 335LS	1	
3	544 11 67-02	MUFFLER ASSY	333RJ, 333R	1	
4	537 33 31-01	GASKET		1	
5	537 34 08-01	AIR CONDUCTOR		1	
6	503 20 03-20	SCREW IHSCFM		1	
7	503 20 29-63	SCREW IHSCFM		2	



## SHAFT &amp; SUSPENSION

333 R, 2013-06

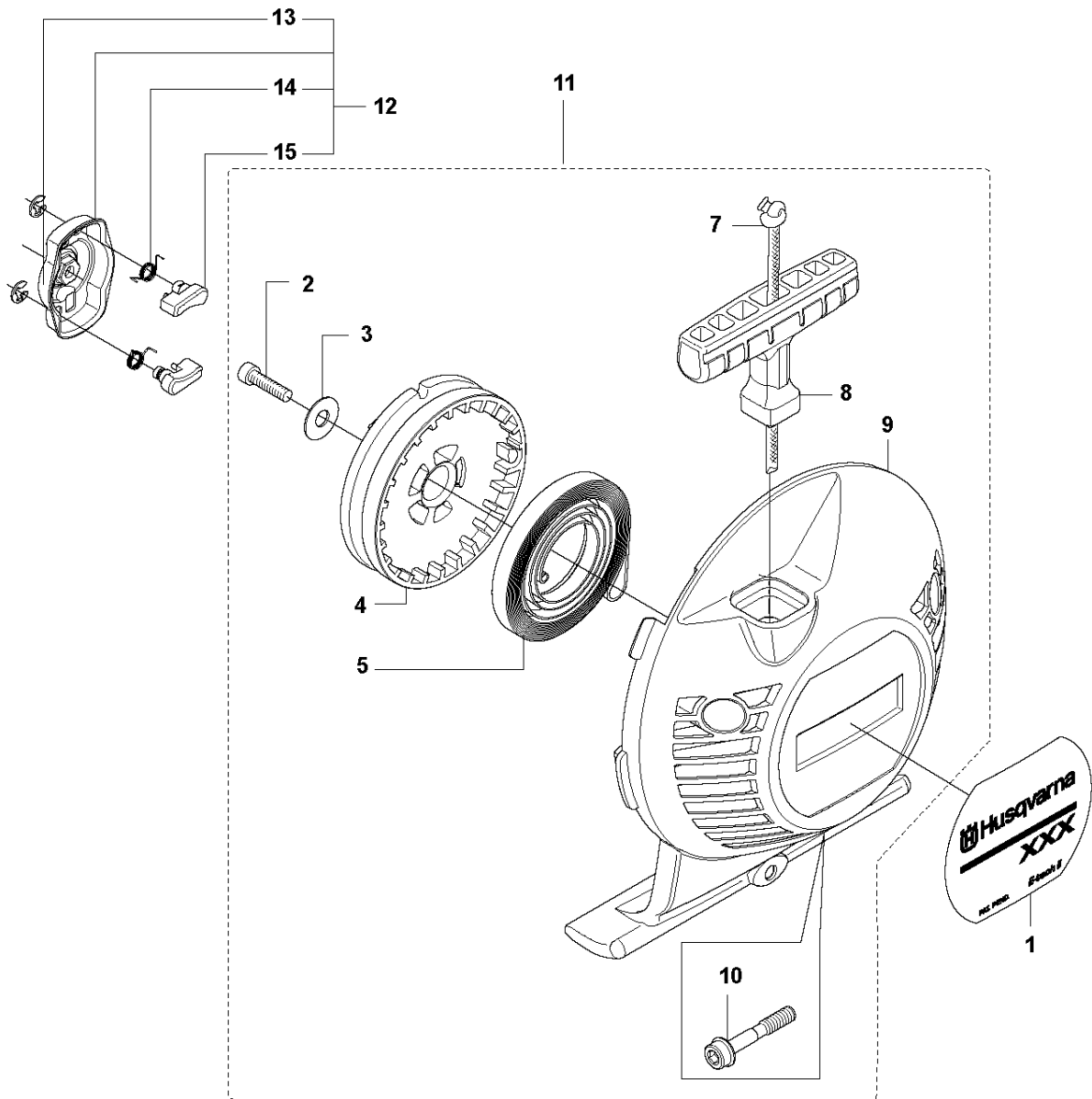
Ref	Part no.	Description	Remark	Qty	Kit
1	537 21 42-01	TUBE	333R, 335Rx, 335FR	1	
2	537 36 02-02	SPACER		1	1
3	537 21 41-01	TUBE	Ø = 28mm, L = 1483mm	1	1
4	537 36 02-01	SPACER		1	1
5	537 31 39-01	GUIDE	Ø = 9mm, L = 1400mm	1	1
6	537 35 52-01	DRIVE SHAFT	Ø = 8mm, L = 1527mm	1	
7	505 13 71-01	WEAR PROTECTION		1	
8	505 13 72-01	WEAR PROTECTION		1	
9	505 16 09-01	LOOP ASSY		1	
10	537 13 04-02	KNOB		1	
11	537 35 01-01	LOOP		1	9
12	725 23 39-51	SCREW EHHM		1	
13	537 37 61-01	WIRING		1	
14	503 21 75-16	SCREW IHSCFT		1	
15	537 29 48-01	LABEL		1	
16	503 20 07-78	SCREW IHSCFM		2	
17	537 38 72-01	SNAP		2	





Ref	Part no.	Description	Remark	Qty	Kit
1	576 79 68-01	SHORT BLOCK		1	

**K2** 333R, 333RJ  
335FR, 335LS, 335Lx, 335RJx, 335Rx.  
STARTER

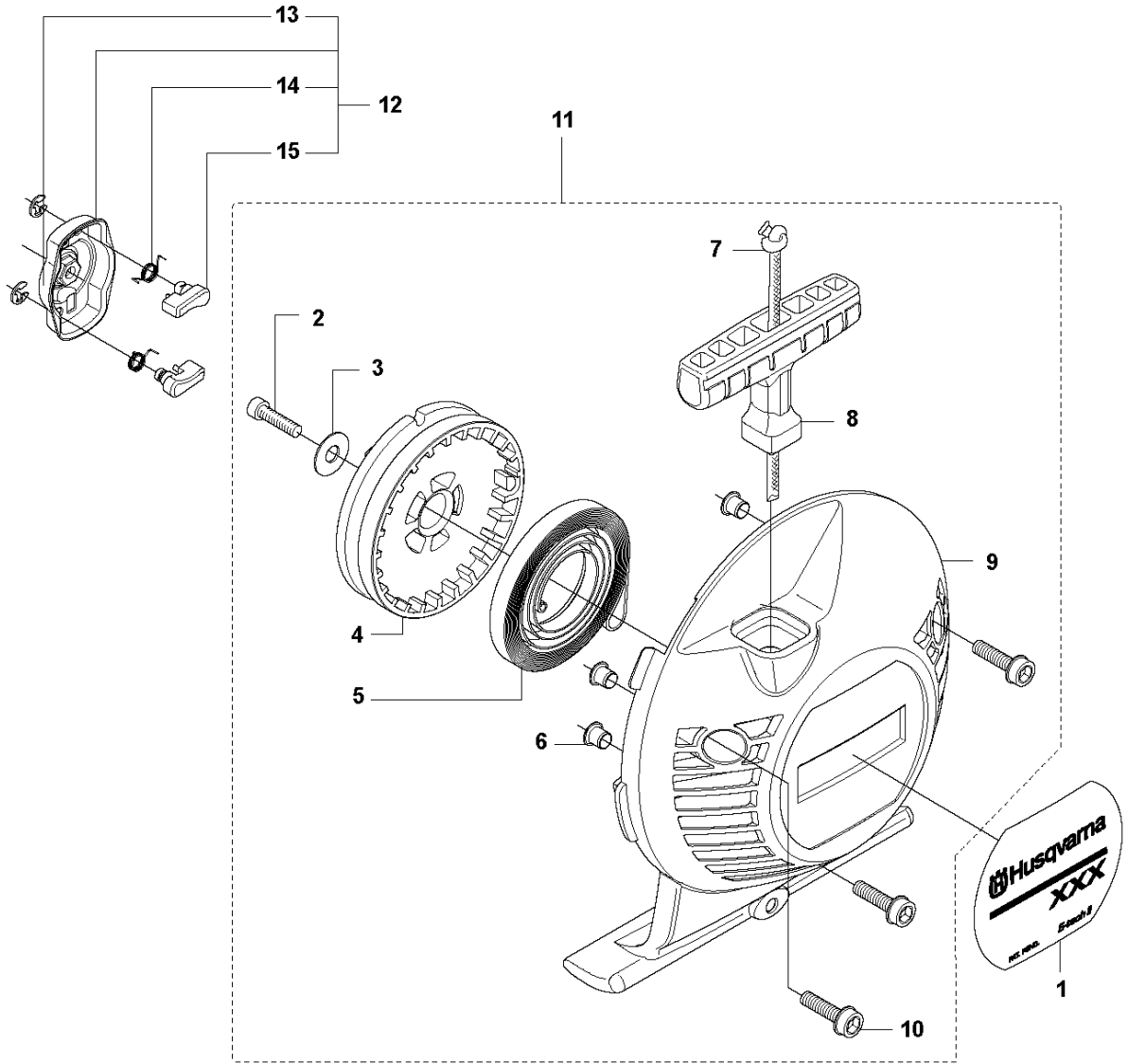


## STARTER

333 R, 2013-06

Ref	Part no.	Description	Remark	Qty	Kit
1	537 32 24-05	LABEL	333R	1	
1	537 32 24-06	LABEL	335Rx	1	
1	537 32 24-09	LABEL	335FR	1	
1	537 32 24-08	LABEL	335LS	1	
2	503 21 79-20	SCREW IH SCT		1	11
3	535 07 23-01	WASHER		1	11
4	537 32 50-02	STARTER PULLEY		1	11
5	503 85 99-01	RECOIL SPRING		1	11
7	505 30 51-25	STARTER CORD		1	11
8	503 54 39-01	STARTER HANDLE		1	11
9	544 10 25-02	STARTER	Spare part incl. Screws Pos. 10	1	11
10	573 99 43-05	SCREW IH SCFMO	Captive screws	3	9, 11
11	537 21 47-07	STARTER ASSY		1	
12	503 87 33-05	STARTER PAWL BRIDGE		1	
13	735 31 08-20	E-CLIP		2	12
14	503 87 36-01	SPRING		1	12
15	503 87 35-02	STARTER PAWL		2	12

**K1** 333R, 333RJ  
335FR, 335LS, 335Lx, 335RJx, 335Rx.  
STARTER

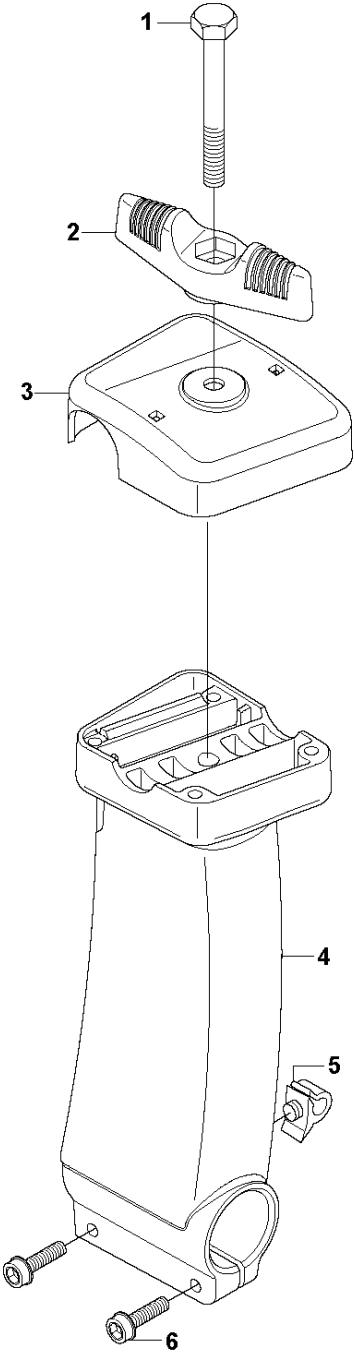


## STARTER

333 R, 2013-06

Ref	Part no.	Description	Remark	Qty	Kit
1	537 32 24-05	LABEL	333R	1	
1	537 32 24-06	LABEL	335Rx	1	
1	537 32 24-09	LABEL	335FR	1	
1	537 32 24-08	LABEL	335LS	1	
2	503 21 79-20	SCREW IH SCT		1	11
3	535 07 23-01	WASHER		1	11
4	537 32 50-02	STARTER PULLEY		1	11
5	503 85 99-01	RECOIL SPRING		1	11
6	537 37 38-02	TUBULAR RIVET		3	11
7	505 30 51-25	STARTER CORD		1	11
8	503 54 39-01	STARTER HANDLE		1	11
9	544 27 93-01	STARTER		1	11
10	503 20 03-20	SCREW IH SCFM		3	11
11	537 21 47-03	STARTER ASSY		1	
12	503 87 33-05	STARTER PAWL BRIDGE		1	
13	735 31 08-20	E-CLIP		2	12
14	503 87 36-01	SPRING		1	12
15	503 87 35-02	STARTER PAWL		2	12

**D1** 333R  
TOWER



Ref	Part no.	Description	Remark	Qty	Kit
1	725 23 82-85	SCREW EHHM		1	
2	503 87 90-01	KNOB		1	
3	537 37 63-01	COVER		1	
4	537 40 26-03	BRACKET		1	
5	502 28 61-01	CLIPS		1	
6	503 20 03-20	SCREW IHSCFM		2	

# Illustrated Parts List - IPL Update



Product Name(s)

**333 R, 333 RJ, 335 FR, 335 RJX, 335 RX, 535 FBX, 535 LS, 535 RJ, 535 RX, 535 RXT, 335 LS, 335 LX, BC2236, CC2236, GC2236**

Description of change

New carburettor, EL36D, replaces EL36C.

	Serial number / Date	Remark
Introduced from	20131400000	

Page Title	Ref. no	New part no	Name	Excl. part no.	Remark
CARBURET OR	1	581 16 75-01	CARBURETTO R	544 32 56-01	
CARBURET OR	10	581 89 95-01	NOZZLE ASSY	537 38 73-01	
CARBURET OR	15	503 47 81-01	SPRING	537 02 03-01	
CARBURET OR	17	537 37 03-01	VALVE	537 02 11-01	
CARBURET OR	30	581 89 93-01	SCREW	537 38 75-01	
CARBURET OR	32	537 38 50-01	CLIP	537 41 77-01	
CARBURET OR	34	576 74 66-01	SPRING	537 41 78-01	
CARBURET OR	36	502 07 84-01	SCREW	503 47 90-01	
CARBURET OR	44	544 37 21-01	SHAFT ASSY	537 38 74-01	
CARBURET OR & AIR FILTER	8	581 16 75-01	CARBURETTO R	544 32 56-01	

Comments

--